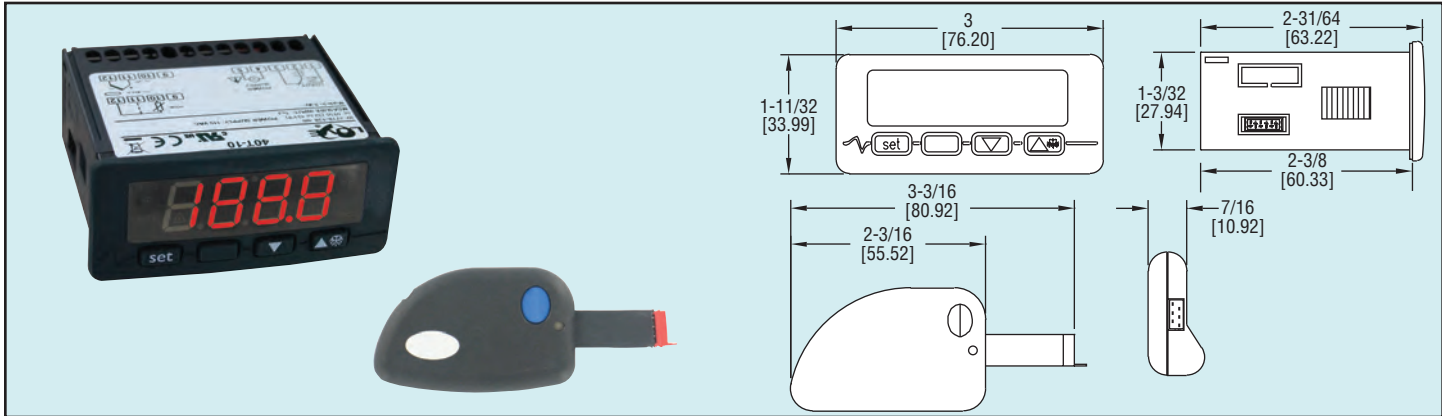




Series
40T/
40M

Digital Temperature Switch

3-1/2 Digit Display, Programming Configuration Key



The Series 40 Digital Temperature Switch accepts a variety of inputs to allow temperature measurements and set points up to 1999°F (1300°C). Observing the current status of the control is made easier with the 3-1/2 digit, multi-color LED display that has alarm, defrost and output symbols. For added versatility, the temperature units can be field selected for °F or °C. For cooling applications, manual defrost mode can be initiated by pushing a single button. A flashing alarm informs users when the current temperature exceeds preset limits. When programming multiple units, a programming key is available to reduce set up time.

ACCESSORIES

- 40X-K, Configuration key
- TCS-J, J type thermocouple, 4" probe, 48" extension
- TCS-K, K type thermocouple, 4" probe, 48" extension
- TS-1, Brass PTC Thermistor Probe
- TS-2, Stainless Steel PTC Thermistor Probe
- TS-5, PVC PTC Thermistor Probe
- TS-6, Polyamide Resin Coated Brass PTC Thermistor Probe
- TS-7, Bead Type NPT Thermistor Probe

SPECIFICATIONS

Probe Range:

- K T/C: -140 to 1999°F (-100 to 1300°C);
- J T/C: -140 to 1450°F (-100 to 800°C);
- RTD: -320 to 1200°F (-200 to 650°C);
- PTC: -58 to 300°F (-50 to 150°C);
- NTC: -40 to 230°F (-40 to 110°C);
- N. RTD: -110 to 570°F (-80 to 300°C).

Output: 16A @ 250 VAC SPDT relay
(max current allowed is 10A).

Control Type:

- On/off.
- Power Requirements:** 12 to 24 VAC/VDC, 115 VAC or 230 VAC depending on model.
- Accuracy:** ±1% FS.
- Display:** 3-1/2 digit red display.
- Resolution:** 0.1°C.
- Memory Backup:** Non-volatile memory.
- Ambient Temperature:** 32 to 131°F (0 to 55°C).
- Weight:** 2.3 oz (65 g).
- Front Panel Rating:** IP 65.
- Agency Approvals:** CE, cUL, UL.

Thermocouple/RTD Input Models		Universal Input Models	
Model	Supply Power	Model	Supply Power
40T-10	115 VAC	40M-10	115 VAC
40T-20	230 VAC	40M-20	230 VAC
40T-40	12-24 VAC/VDC	40M-40	12-24 VAC/VDC