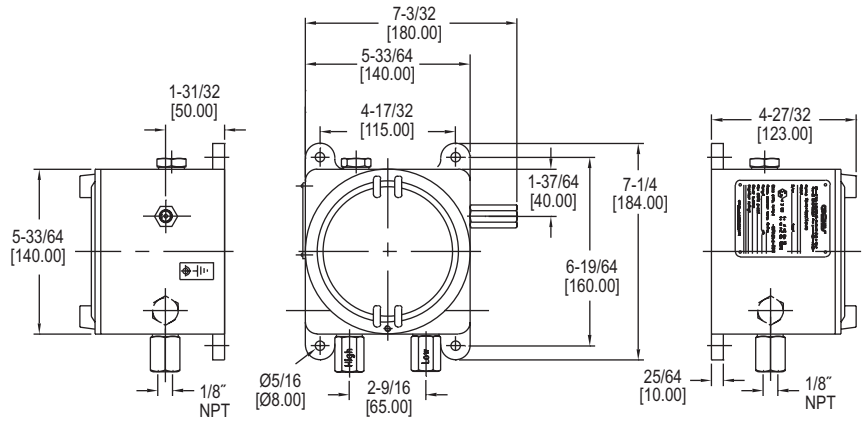
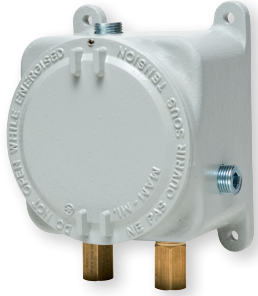


ATEX/IECEx APPROVED 1910 DIFFERENTIAL PRESSURE SWITCH

The 1910 in Flame-Proof ATEX/IECEx Enclosure



Series AT11910 ATEX/IECEx Approved 1910 Differential Pressure Switch is our most popular switch and is now available in a flame-proof package. This pressure switch combines advanced design and precision construction to make these switches able to perform many of the tasks of larger, costlier units. For air and non-combustible compatible gases, the AT11910 Series switches have set points from 0.07 to 20 in w.c. (1.8 to 508 mm). Set point adjustment is easy with range screw located inside the switch enclosure. Series AT11910 enclosures are available in aluminum enclosures and ideal for low pressure, hazardous area applications.

FEATURES/BENEFITS

- Flame-proof enclosure protects the device in hazardous areas
- Compact size and repeatability, provides a high-value switch for many industrial and OEM applications
- Wide range of models from 0.07 in w.c. to 20 in w.c. can meet exacting OEM specifications for a low pressure switch
- Range screw protected inside switch enclosure prevents tampering

APPLICATIONS

- Hazardous area low pressure applications
- Air conditioning refrigeration coil icing detection; defrost cycle initiation
- Clogged filter detection
- Variable air volume controller

Attention: Check local safety rules and warnings on unit and manual for a correct use of the instrument in hazardous area.

SPECIFICATIONS

Service: Air and non-combustible, compatible gases.
Wetted Materials: Consult factory.
Temperature Limits: -30 to 180°F (-34 to 82.2°C) (**Note:** Product temperature limits differ from case).
Pressure Limits: 45 in w.c. (11.2 kPa) continuous, 10 psig (68.95 kPa) surge.
Switch Type: SPDT.
Repeatability: ±3% FS.
Electrical Rating: 15 A @ 120 to 480 VAC, 60 Hz. Resistive 1/8 HP @ 125 VAC, 1/4 HP @ 250 VAC, 60 Hz. Derate to 10 A for operation at high cycle rates.
Mounting Orientation: Diaphragm in vertical position.
Set Point Adjustment: Screw type on pressure switch inside the enclosure accessible by hole with plug on housing. Set point regulation must be done with instrument de-energized. Follow instructions and safety warning to open cover.
Enclosure Rating: IP66. IP65 with option OPV, overpressure relief valve.
Housing Material: Aluminum.
Finishing: Texture epoxy coat RAL7038.
Process Connections: 1/8" NPT female brass (SS optional). In presence of acetylene it is necessary to use SS.
Electrical Connections: Two 1/2" NPT female. Cable gland not included. Weight: 7.49 lb (3.4 kg).
ATEX Certificate: BVI 14ATEX007.
Agency Approvals: ATEX Compliant **CE** 1370 **Ex** II 2G Ex d IIC T6 Gb / II 2D Ex tb IIIC T85°C Db, -60°C ≤ Tamb ≤ +60°C IECEx Compliant: Ex d IIC T6 Gb / Ex tb IIIC T85°C Db.

MODEL CHART								
Example	AT11910	-00	-A	B	1	X	T2	AT11910-00-AB1XT2
Series	AT11910							ATEX/IECEx approved 1910 differential pressure switch
Range		00 0 1 5 10 20						.07 to .15 in w.c. (17.5 to 37 Pa) .15 to .55 in w.c. (37.5 to 137 Pa) .4 to 1.6 in w.c. (100 to 398 Pa) 1.4 to 5.5 in w.c. (348.5 to 1368 Pa) 3 to 11.75 in w.c. (747 to 2924 Pa) 4 to 20 in w.c. (996 to 4977 Pa)
Housing Material			A					Aluminum
Cover				B				Blind
Process Connection					1 2			1/8" NPT female brass ports 1/8" NPT female SS ports
Overpressure Plug						X OPV		Standard without overpressure relief valve Overpressure relief valve Material same as ports
Tag							T2	SS information label