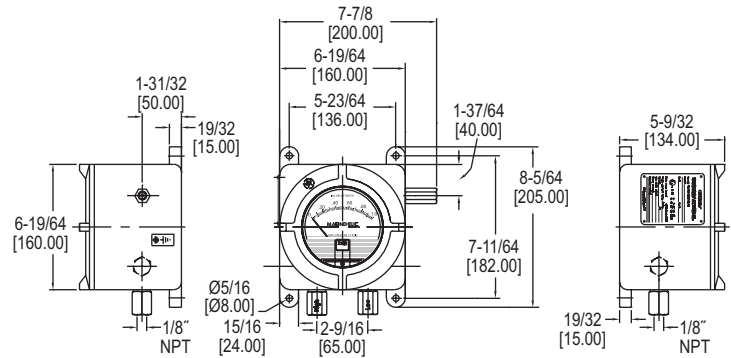


# ATEX/IECEx APPROVED SERIES 2000 MAGNEHELIC® DIFFERENTIAL PRESSURE GAGE

Magnehelic® Gage in Flame-Proof ATEX/IECEx Enclosure



The Series AT22000 ATEX/IECEx Approved Series 2000 Magnehelic® Differential Pressure Gage combines the popular Magnehelic® line with a flameproof enclosure to extend usage to hazardous locations. This gage can indicate positive, negative or differential pressures and is accurate within 2%.

**FEATURES/BENEFITS**

- ATEX/IECEx housing provides all the capabilities and value of the Magnehelic® in a flame & explosion proof enclosure
- Quick response to pressure changes means no delay in assessing critical situations
- Durable and rugged housing and high-quality components combined provides long-service life and minimized down-time
- High impact strength and high temperature rated for applications where hazardous environments exist

**APPLICATIONS**

- Fan and blower pressures
- Filter resistance
- Air velocity
- Furnace draft
- Liquid levels with bubbler systems
- Pressure in fluid amplifier or fluidic systems

**Attention:** Check local safety rules and warnings on unit and manual for a correct use of the instrument in hazardous area.

**SPECIFICATIONS**

**Service:** Air and non-combustible, compatible gases.  
**Wetted Materials:** Consult factory.  
**Magnehelic® Housing:** Die cast aluminum case & bezel with acrylic cover; Exterior finish is coated gray to withstand 168 hour salt spray corrosion test.  
**Housing Material:** Aluminum.  
**Finishing:** Texture epoxy coat RAL7038.  
**Accuracy:** ±2% of FS (±3% on -0, -100PA, -125PA, -10MM and ±4% on -00, -60PA, -6MM ranges), throughout range at 70°F (21.1°C).  
**Pressure Limits:** -20 in Hg to 15 psig (-0.677 bar to 1.034 bar); MP option; 35 psig (2.41 bar), HP option; 80 psig (5.52 bar).  
**Overpressure:** Relief plug opens at approximately 25 psig (1.72 bar), standard gages only. **Ⓢ**  
**Temperature Limits:** 20 to 140°F (-6.67 to 60°C); Low temperature option: -20°F (-28.8°C) (**Note:** Product temperature limits are less than case limits).  
**Mounting Orientation:** Diaphragm in vertical position.  
**Enclosure Rating:** IP66. IP65 with option OPV, overpressure relief valve.  
**Process Connections:** 1/8" NPT female brass (SS optional). In presence of acetylene it is necessary to use SS.  
**Weight:** 8.6 lb (3.9 kg).  
**ATEX Certificate:** BV1 14ATEX0072.  
**Agency Approvals:** ATEX Compliant **CE** 1370 **Ex** II 2G Ex d IIC T6 Gb / II 2D Ex tb IIIC T85°C Db, -60°CsTamb+60°C IECEx Compliant: Ex d IIC T6 Gb / Ex tb IIIC T85°C Db.

RANGE CHART					
Model	Range in w.c.	Model	Range in w.c.	Model	Range in w.c.
2000-00N	.05 to 0 to .2	2006	0 to 6.0	2040	0 to 40
2000-00	0 to .25	2008	0 to 8.0	2050	0 to 50
2000-0	0 to .50	2010	0 to 10	2060	0 to 60
2001	0 to 1.0	2012	0 to 12	2080	0 to 80
2002	0 to 2.0	2015	0 to 15	2100	0 to 100
2003	0 to 3.0	2020	0 to 20	2120	0 to 120
2004	0 to 4.0	2025	0 to 25	2150	0 to 150
2005	0 to 5.0	2030	0 to 30	2160	0 to 160

MODEL CHART										
Example	AT2	2001	-X	X	-A	O	1	X	T2	AT22001-XX-AO1XT2
Housing	AT2									ATEX/IECEx approved Series 2000 Magnehelic® differential pressure gage
Range		2XXX								Specify range by using Magnehelic® model number. See range chart.
Pressure Rating			X MP HP							Standard from -20 in Hg to 15 psig static pressure Medium pressure-max. static 35 psig High pressure-max. static 80 psig
Temperature Rating				X LT						Standard temperature limits -6.67 to 60°C Low temperature limit to -28.8°C
Housing Material					A					Aluminum
Cover						O				Glass cover
Process Connection							1 2			1/8" NPT female brass ports 1/8" NPT female SS ports
Overpressure Plug								X OPV		Standard without overpressure relief valve Overpressure relief valve Material same as ports
Tag									T2	SS information label

For other engineering unit ranges contact the factory.

USA: California Proposition 65  
 ⚠️WARNING: Cancer and Reproductive Harm - www.P65Warnings.ca.gov

Ⓢ Over Protection Note: See page 21 (Series 2000)