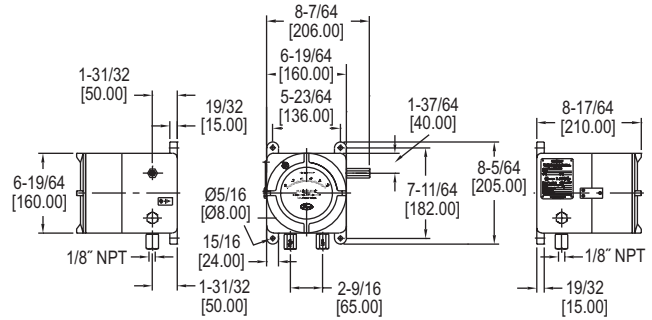
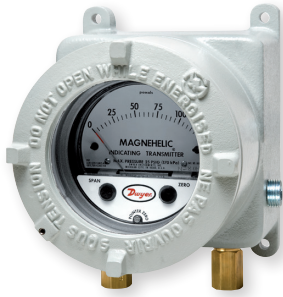


ATEX/IECEX APPROVED 605 DIFFERENTIAL PRESSURE INDICATING TRANSMITTER

Series 605 in Flame-Proof ATEX/IECEX Enclosure



The Series AT2605 ATEX/IECEX Approved 605 Differential Pressure Indicating Transmitter provides for both visual monitoring and electronic control of very low differential pressure in hazardous locations. The easily read dial gage is complemented by the two-wire, 4-20 mA control signal utilizing the time-proven Dwyer® Magnehelic® gage mechanical design and Series 600 transmitter technology. The two-wire design simplifies any 4-20 mA control loop powered by a 10-35 VDC supply. Flame-proof enclosures are available in aluminum and can include a glass window for viewing process pressure on gage face.

FEATURES/BENEFITS

- ATEX/IECEX housing provides all the capabilities and value of the Magnehelic® 605 in a flame & explosion proof enclosure
- Quick response to pressure changes means no delay in assessing critical situations
- Durable and rugged housing and high-quality components combined provides long-service life and minimized down-time
- High impact strength and high temperature rated for applications where hazardous environments exist

APPLICATIONS

- Monitor pressures in ducts, rooms, or total building pressures
- Filter monitoring
- Local indication of clean room pressures with process signal sent to control room
- Hazardous area pressure measurement and transmitter

SPECIFICATIONS

GAGE SPECIFICATIONS

Service: Air and non-combustible, compatible gases.
Wetted Materials: Consult factory.
Accuracy: See page reference 1 below.
Pressure Limits: See page reference 1 below.
Temperature Limits: 20 to 120°F (-6.67 to 48.9°C) (Note: Product temperature limits differ from case).
Size: 4" (101.6 mm) dial face.

TRANSMITTER SPECIFICATIONS

Accuracy: See page reference 1 below. Includes linearity, hysteresis, repeatability.
Compensated Temperature Range: 32 to 120°F (0 to 48.9°C).
Thermal Effect: ±0.025% FS/°F (0.045% FS/°C).
Stability: ±1% FS/year.
Power Requirements: 10-35 VDC (2-wire).
Output Signal: 4-20 mA.
Zero and Span Adjustments: Protected potentiometers on 605 face. Can access those by opening case. Allowed only in safe zone.
Loop Resistance: DC: 0 to 1250 Ω max.
Current Consumption: DC: 38 mA max.
Electrical Connections: Screw terminal block.
Mounting Orientation: Diaphragm in vertical position.
Enclosure Rating: IP66. IP65 with option OPV, overpressure relief valve.
Housing Material: Aluminum.
Finishing: Texture epoxy coat RAL7038.
Process Connections: 1/8" NPT female brass (SS optional). In presence of acetylene it is necessary to use SS.
Electrical Connections: Two 1/2" NPT female. Cable gland not included.
Weight: 12.6 lb (5.7 kg).
ATEX Certificate: BVI 14ATEX0072.
Agency Approvals: ATEX Compliant CE 1370 Ex II 2G Ex d IIC T6 Gb / II 2D Ex tb IIIC T85°C Db, -60°C ≤ Tamb ≤ +60°C IECEx Compliant: Ex d IIC T6 Gb / Ex tb IIIC T85°C Db.

MODEL CHART									
Example	AT2605	-00N	-X	-A	B	1	X	T2	AT2605-00N-X-AB1XT2
Series	AT2605								ATEX/IECEX approved 605 differential pressure indicating transmitter
Range		00N 11 0 1 2 3 6 10 20 30 50 60Pa 125Pa 250Pa 500Pa							.05 to 0 to .20 in w.c. .25 to 0 to .25 in w.c. 0 to .50 in w.c. 0 to 1.0 in w.c. 0 to 2.0 in w.c. 0 to 3.0 in w.c. 0 to 6.0 in w.c. 0 to 10.0 in w.c. 0 to 20.0 in w.c. 0 to 30 in w.c. 0 to 50 in w.c. 0 to 60 Pa 0 to 125 Pa 0 to 250 Pa 0 to 500 Pa
Construction			X						Standard construction
Housing				A					Aluminum
Cover					B O				Blind Glass top cover
Process Connection						1 2			1/8" NPT female brass ports 1/8" NPT female SS ports
Overpressure Plug							X OPV		Standard without overpressure relief valve Overpressure relief valve Material same as ports
Tag								T2	SS information label

USA: California Proposition 65
 ⚠ WARNING: Cancer and Reproductive Harm - www.P65Warnings.ca.gov

605 Ordering Page: See page 64 (Series 605)