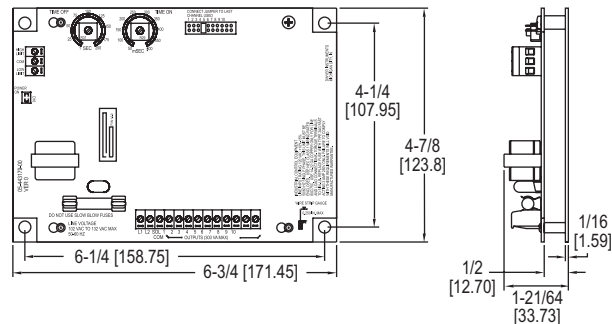
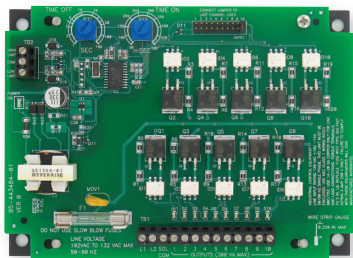


Dwyer

SERIES DCT500A

LOW COST TIMER CONTROLLER

Compact, Easy to Use, 4, 6 or 10 Channels



The **Series DCT500A Low Cost Timer Controller** is designed to provide continuous or on-demand cleaning for receivers and pulse jet systems. It is available in either 4, 6, or 10 channels, and each unit is the same size, minimizing enclosure space and reducing overall system installation cost. For added safety, the control circuitry including the control inputs are isolated from the line voltage.

FEATURES/BENEFITS

- Simple and easy to use design
- Optional weatherproof enclosure available

APPLICATIONS

- Dust collection
- Pneumatic conveying
- Cement batch plants

MODEL CHART

Model	Description	No. of Channels
DCT504A	Timer controller	4
DCT506A	Timer controller	6
DCT510A	Timer controller	10

SPECIFICATIONS*

Output Channels: 4, 6, & 10 channels.

Power Requirements: 102-132 VAC 50 or 60 Hz.

Power Consumption: 2.5 W.

Solenoid Supply: 3 A max per channel.

Fuse: Type 3 AG, 3 A @ 250 VAC.

Temperature Limits: -40 to 140°F (-40 to 60°C).

Storage Temperature Limits: -40 to 176°F (-40 to 80°C).

On Time: 50 ms to 500 ms.

On Time Accuracy: ±10 ms.

On Time Stability: ±1 ms.

Off Time: 1 second to 180 seconds.

Off Time Accuracy: ±5% of setting.

Weight: 9 oz (255 g).

Agency Approvals: CE, cULus.

*Additional specifications on IOM.

OPTIONS

To order add suffix:

Description

- L Mounting bracket for field retrofits: 8-1/4" x 6-1/4" (209.55 mm x 158.75 mm)
- WP Weatherproof housing: standard models
Weatherproof housing: with option -L mounting bracket