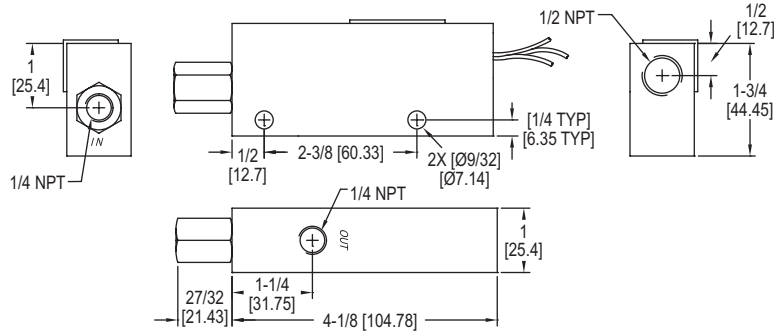
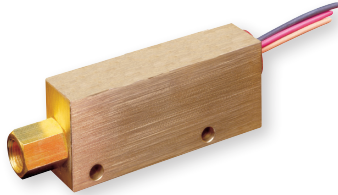


**Dwyer**  
SERIES P1

# BRASS FLOW SWITCH

Fixed Set points, Flow Rates from 0.10 to 1.5 GPM



The **Series P1 Brass Flow Switch** utilizes a piston-type design for accurate detection of excessive or insufficient liquid flow rates. The switches have preset actuation points from 0.10 to 1.5 GPM for liquid flow.

## FEATURES/BENEFITS

- Piston-type operation yields accurate detection of low flow rates
- The piston magnetically actuates a hermetically sealed SPST reed switch

## APPLICATIONS

- Industrial cleaning equipment
- Detecting loss of fluid in hydraulic systems
- Assuring proper coolant flow in semiconductor processing

MODEL CHART	
Model	Actuation Set Point* GPM (LPM)
P1-011	0.10 (.38)
P1-012	0.25 (.95)
P1-013	0.50 (1.89)
P1-014	0.75 (2.84)
P1-015	1.00 (3.79)
P1-016	1.50 (5.68)

\*Calibrated for water at standard conditions.

## SPECIFICATIONS

**Service:** Compatible liquids.

**Wetted Materials:** Housing: Brass; Piston: Polysulfone; Spring: 316 SS; O-ring: Fluoroelastomer; Other: Epoxy.

**Temperature Limits:** -20 to 225°F (-29 to 107°C).

**Pressure Limits:** 1000 psig (68.9 bar).

**Accuracy:** ±10% of set point.

**Repeatability:** ±1%.

**Switch Type:** SPDT.

**Electrical Rating:** .17 A @ 120 VAC, .08 A @ 240 VAC, .13 A @ 120 VDC, .06 A @ 240 VDC.

**Electrical Connection:** 18 AWG, 24" (60.96 cm), polymeric lead wires.

**Process Connection:** 1/4" female NPT.

**Mounting Orientation:** Any position. Set points shown are based on vertical, inlet down position.

**Required Filtration:** 50 microns or better.

**Weight:** 0.66 lb (301 g).

**Agency Approvals:** CE.

USA: California Proposition 65

⚠WARNING: Cancer and Reproductive Harm - [www.P65Warnings.ca.gov](http://www.P65Warnings.ca.gov)