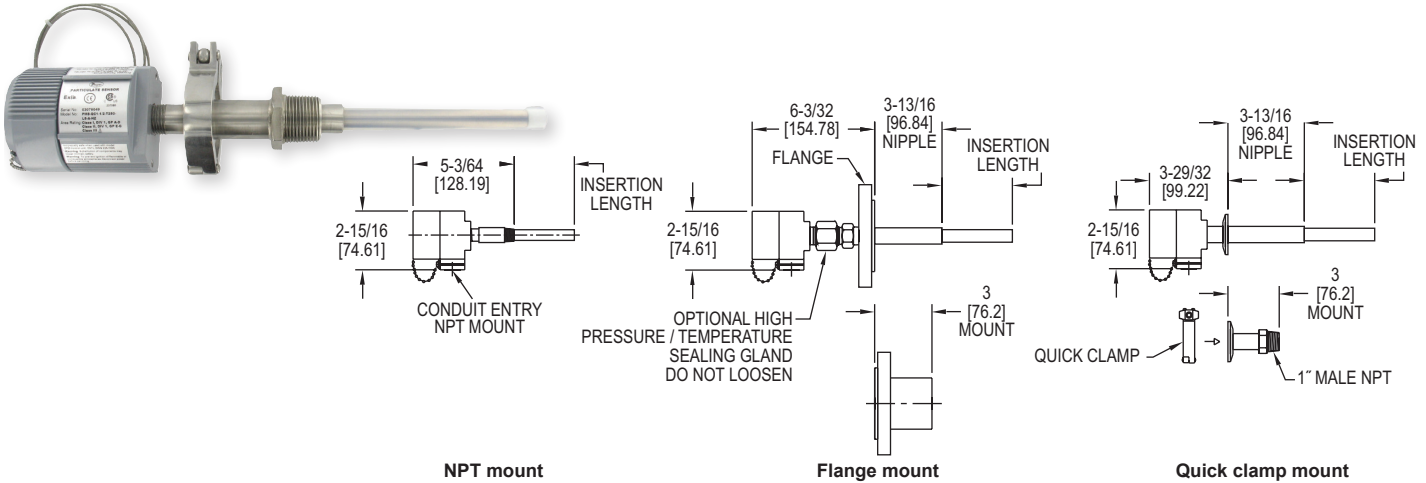


PARTICULATE SENSOR

Reliable Operation, Minimal Maintenance



The **Series PMS Particulate Sensor** employs a field-proven combination of passive-induction and protected-probe technologies. As particles flow near and around the probe, the signal is processed into an absolute output that can be sent to a Series DPM Particulate Monitor. Protective layers over the probe work in combination with induction-sensing to ensure reliable operation with all types of particulate including moist powders and highly conductive dusts.

FEATURES/BENEFITS

- Durable housing that is free of electronics
- Minimal maintenance needed

APPLICATIONS

- Baghouses
- Bin vents
- Cartridge filters

SPECIFICATIONS	
Service:	Air and compatible gases, any type particulate.
Wetted Materials:	T1 and T2: 316 SS and PFA; T3 and T4: 316 SS and ceramic.
Temperature Limits:	Ambient: Maximum -40 to 392°F (-40 to 200°C) (max must be calculated for each application); Process: See model chart.
Pressure Limits:	Standard: Full vacuum to 10 psi (0.69 bar); Optional: 100 psi (6.89 bar).
Output Signal:	pA.
Electrical Connection:	Low noise coaxial.
Process Connection:	See model chart.
Enclosure:	Standard: Painted cast aluminum, weatherproof, NEMA 4X (IP66); Optional: Intrinsically safe, CSA (must use with proper DPM model).
Weight:	Varies depending on length of probe and type of mount.
Agency Approvals:	CE, CSA.

Particulate (Dust or Broken Bag) Sensors

MODEL CHART							
Example	PMS	-A1	1	T1	P1	-L1.5	PMS-A11T1P1-L1.5
Series	Particulate sensor						
Enclosure Rating	Weatherproof, NEMA 4X (IP66) Intrinsically safe, CSA & CEA approvals, class I, II, and III; division I & II, all groups, NEMA 4X (requires quick clamp connection or flange mount)						
Process Connection			1 2 3 4				1/2" NPT 1" NPT with 1.5" quick clamp connection 2" 150# ANSI flange 2" 150# ANSI flange with process mating flange and installation kit
Maximum Process Temperature			T1 T2 T3 T4		250°F (121°C) 450°F (232°C) 800°F (426°C) - requires flange mount 1200°F (649°C) - requires flange mount		
Maximum Process Pressure			P1 P2		10 psi 100 psi - requires flange mount		
Insertion Length*					L1.5 L03 L05 L10 L15 L20 L30 L36 L48 L60 L72	1.5" probe 3" probe 5" probe 10" probe 15" probe 20" probe 30" probe 36" probe 48" probe 60" probe 72" probe	
*Recommended at least 1/2 duct diameter							

MODEL CHART			
Model	Description	Model	Description
CAB-10	10 foot sensor cable	CAB-30	30 foot sensor cable
CAB-20	20 foot sensor cable	CAB-40	40 foot sensor cable
Note: Consult factory for custom cable lengths up to 300 feet.			