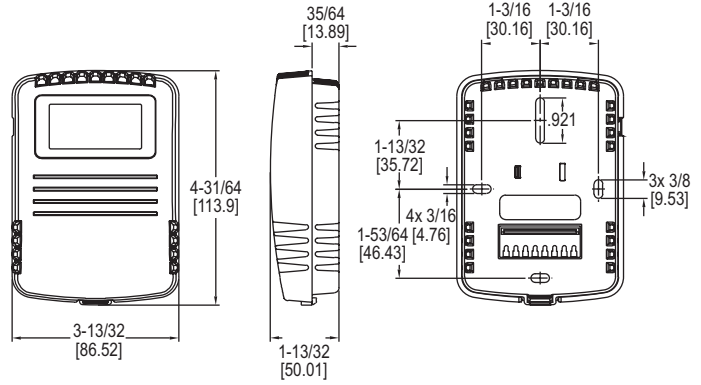


# WALL MOUNT HUMIDITY/TEMPERATURE/DEW POINT TRANSMITTER

Optional LCD Display



Shown with optional LCD display



The **Series RHP-W Wall Mount Humidity/Temperature/Dew Point Transmitter** is the most versatile room transmitter on the market. The stylish housing is well vented to provide air flow across the sensor to improve measurement accuracy. An optional LCD display can be integral to the transmitter or a remote display can be ordered for building balancing or LEED® validation. The LCD display indicates the ambient temperature along with the humidity or dew point. The transmitter has internal dip switches to select the temperature engineering units and whether the transmitter outputs humidity or dew point. The humidity and the dew point are measured using a capacitive polymer sensor that completely recovers from 100% saturation. The humidity and dew point can have either a current or voltage output, while the optional temperature output can be a current, voltage, RTD or thermistor. For models with current or voltage for the temperature output, the temperature range is field selectable.

MODEL CHART						
Example	RHP	-3	W	2	A	-LCD RHP-3W2A-LCD
Series	RHP					Humidity/temperature/dew point transmitter
Accuracy		2				2% accuracy
		3				3% accuracy
		5				5% accuracy
Housing			W			Wall mount
Humidity/ Dew Point Output				4		4 to 20 mA/0 to 5 VDC/0 to 10 VDC
Temperature Output					0	None
					4	4 to 20 mA/0 to 5 VDC/0 to 10 VDC
					A	10KΩ @ 25°C thermistor type III
					B	10KΩ @ 25°C thermistor type II
					C	3KΩ @ 25°C thermistor
					D	100Ω RTD DIN 385
					E	1KΩ RTD DIN 385
					F	20KΩ @ 25°C thermistor
Options						LCD NIST LCD display NIST traceable calibration certificate (humidity)

ACCESSORIES	
Model	Description
A-449	Remote LCD display allows remote indication of select Dwyer wall mount transmitters for validation or certification purposes
SCD-PS	100-240 VAC/VDC to 24 VDC power supply



## SPECIFICATIONS

**Relative Humidity Range:** 0 to 100% RH.  
**Temperature Range:** -40 to 140°F (-40 to 60°C) for thermistor and RTD sensors; -20 to 140°F (-28.9 to 60°C) for solid state band gap temperature sensors.  
**Dew Point Temperature Range:** -20 to 140°F (-28.9 to 60°C); 0 to 100°F (-17.8 to 37.8°C); 40 to 90°F (4.4 to 32.3°C); -4 to 140°F (-20 to 60°C) field selectable ranges.  
**Accuracy:** RH: Model RHP-2XXX ±2% 10-90% RH @ 25°C; Model RHP-3XXX ±3% 20-80% RH @ 25°C; Model RHP-5XXX ±5% 20-80% RH @ 25°C; Thermistor temperature sensor: ±0.36°F @ 77°F (±0.2°C @ 25°C); RTD temperature sensor: DIN Class B; ±0.54°F @ 32°F (±0.3°C @ 0°C); Solid state band gap temperature sensor: ±0.9°F @ 77°F (±0.3°C @ 25°C).  
**Hysteresis:** ±1%.  
**Repeatability:** ±0.1% typical.  
**Temperature Limits:** Operating: -40 to 140°F (-40 to 60°C); Storage: -40 to 176°F (-40 to 80°C).  
**Compensated Temperature Range:** -4 to 140°F (-20 to 60°C).  
**4 to 20 mA Loop Powered Outputs:** Power requirements: 10 to 35 VDC; Output signal: 4 to 20 mA, 2 channels for humidity/solid state temperature sensor models (loop powered on RH). Switch selectable RH/dew point. Switch selectable normal or reverse output.  
**0 to 5/10 V Outputs:** Power requirements: 15 to 35 VDC or 15 to 29 VAC; Output load: 5 mA max., 2 channels for humidity/solid state temperature sensor models. Switch selectable 0 to 10 V/2 to 10 V or 0 to 5 V/1 to 5 V output. Switch selectable RH/dew point. Switch selectable normal or reverse output.  
**Solid State Band Gap Temperature Sensor Output Ranges:** Switch selectable, -20 to 140°F (-28.9 to 60°C); 0 to 100°F (-17.8 to 37.8°C); 40 to 90°F (4.4 to 32.3°C); -4 to 140°F (-20 to 60°C).  
**Response Time:** 15 seconds.  
**Electrical Connections:** Screw terminal block.  
**Drift:** <1% RH/year.  
**RH Sensor:** Capacitance polymer.  
**Enclosure Material:** Warm gray polycarbonate.  
**Display:** Optional LCD, backlit on 0-5/10V models. Switch selectable %RH or dew point, °F/°C.  
**Display Resolution:** RH: 1%; Temperature: 0.1°F (0.1°C); Dew Point: 1°F (1°C).  
**Weight:** 0.3 lb (0.14 kg).  
**Agency Approvals:** CE.