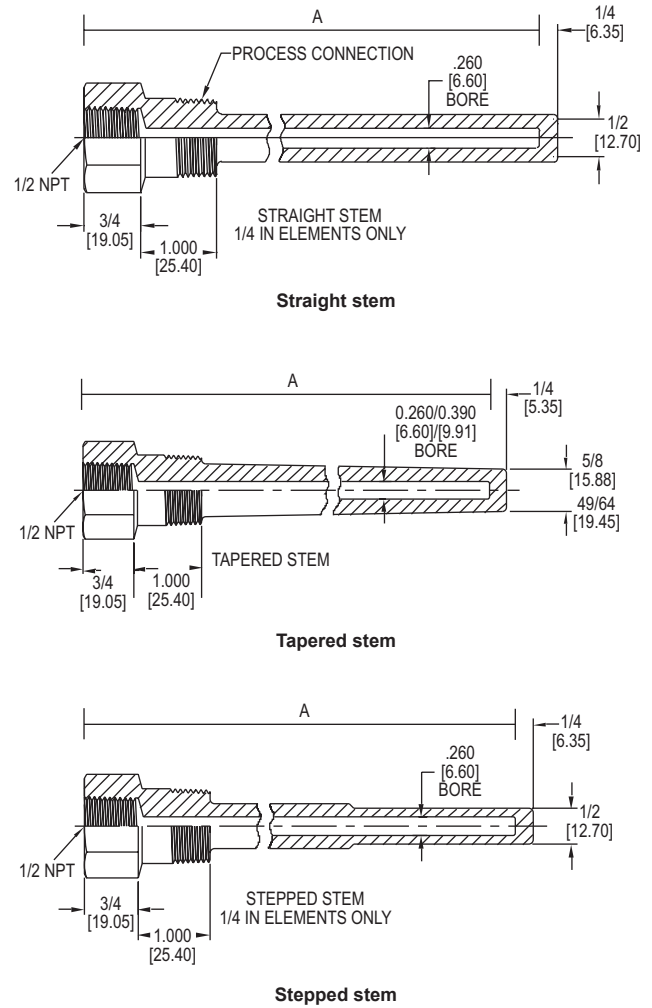
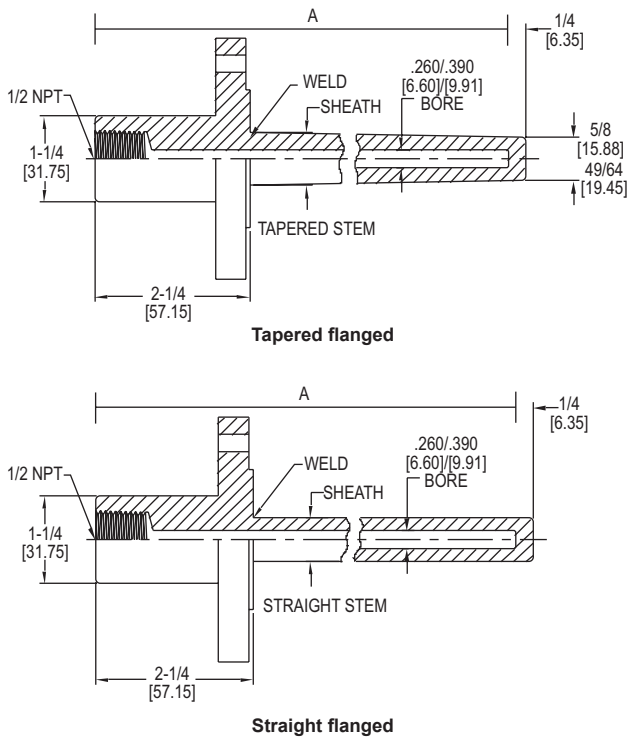


THERMOWELLS



Select bore as 0.260 for 1/4" diameter elements and 0.390 for 3/8" diameter elements. Specify heavy duty mounting for tapered sheaths.

MODEL CODING

Fill in the appropriate numbers or letters to specify the thermowell of your choice. Fill in all boxes. If an item or dimension does not apply, fill those boxes with zeros '0'.

A
IN INCHES

W - -

HARDWARE

- TYPE**
 1 - 304 SS Sheath
 2 - 316 SS Sheath
 3 - Brass
 4 - Carbon Steel

TAPER/BORE

- 0 - Straight/0.260
 1 - Step/0.260
 2 - Straight/0.390
 3 - Taper/0.260
 4 - Taper/0.390

INSIDE THREAD

- 1 - 1/2" Female NPT

PROCESS CONNECTION

- 1 - 1/2 NPT
 2 - 3/4 NPT
 3 - 1 NPT
 4 - 1" 150# Flange
 5 - 1-1/2" 150# Flange
 6 - 2" 150# Flange
 7 - 1" 300# Flange
 8 - 1-1/2" 300# Flange
 9 - 2" 300# Flange
 A - 1" 600# Flange
 B - 1-1/2" 600# Flange
 C - 2" 600# Flange

MOUNTING

- 1 - Threaded
 2 - Heavy Duty Threaded
 3 - Heavy Duty Flanged
 4 - Flanged

LAG

- 0 - None
 2 - 2"
 3 - 3"

SHEATH O.D. BASE / TAPER

- 1 - 5/8" / 1/2" Step
 4 - 3/4" / 1/2" Step
 6 - 7/8" / 1/2" Step
 7 - 7/8" / 5/8" Taper
 8 - 1-1/16" / 5/8" Taper
 9 - 7/8" / 49/64" Taper
 A - 1-1/16" / 49/64" Taper
 B - 5/8" Straight
 D - 7/8" Straight
 E - 3/4" Straight